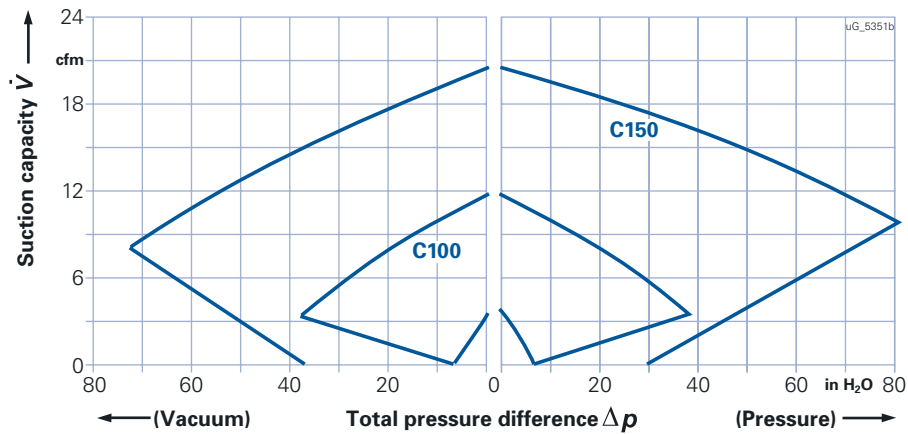




The performance curves are valid for pumping air at 60 °F (15 °C) at the inlet flanges with an air pressure of 29,9 in Hg abs. (1,013 mbar) and a tolerance of ±10%. The total pressure differences are valid up to an intake and ambient temperature of 77 °F (25 °C).

Vacuum-compressor selection diagram



Selection and ordering information

Curve no.	Control voltage (0...10 V DC)	Order no.	output	Rated voltage	current	Max. differential vacuum pump in H ₂ O	com- pressor in H ₂ O	Sound pressure level ¹⁾ dB(A)	Weight
min ⁻¹	V		hp	V	A				lbs
IP66, with hood and integrated electronics									
C100		2BH1 000-0AB32	0.12	24 DC	4.5	–	–	48	2.2
$n_{max.}$	10					36.9	35.7		
7000	7.15 ± 0.1					32.5	35.3		
6000	6.1 ± 0.1					27.3	28.9		
5000	5.1 ± 0.1					20.9	22.1		
4000	4.05 ± 0.1					13.6	14.5		
3000	3.05 ± 0.1					8.0	8.4		
IP 66, with external electronics									
C150		2BH1 000-0AA53²⁾	0.38	48 DC	8	72.3	80.3	50	2.6

Variant "without hood" available on request.

1) Measuring-surface sound-pressure level acc. to EN 21680-1, measured at 1 m distance with closed suction and pressure side at 7,400 min⁻¹.

Tolerance: ± 3 dB(A).

2) External operating electronics compulsory

Accessories for 2BH100

	Delivery loose Order no.	Delivery with the pump abbreviation ¹⁾	Weight approx. lbs
External electronics (Variotronic) ²⁾ , loose	2BX4 130	B30	0.44
Set of plugs ³⁾ , loose , eight-pole, for connecting motor Variotronic, comprising: 1 x socket casing, 3 x socket contact AWG 20 5 x socket contact AWG 26, 2 x 1 each spare contact	2BX4 131	B20	–
Suction filter	2BX4 134	B36	0.66
Silencer	2BX4 135	B37	0.22
Rubber buffer (1 set = 4 pieces) (rubber metal bearing)	2BX4 132	B31	–

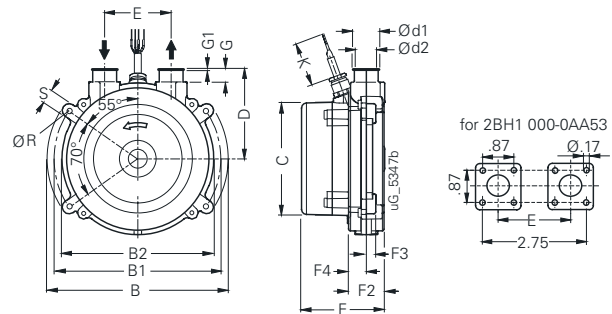
1) Please add a „-Z“ to the order number and add the abbreviation as follows: Example 2BH1 000-0AB32-Z

B30 + B31

2) With ambient temperatures over 25°C the operating speed may be less depending on the cooling of the electronics system.

3) Note: Pliers for the socket contacts are not included with delivery; obtainable from Molex Deutschland/Heilbronn; Germany
Fax +49 (0) 70 66 / 95 55 29; Type 69008-0274.

Dimensions for 2BH100 (inch)



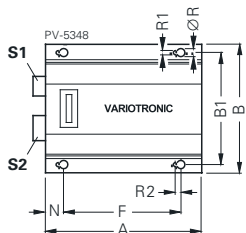
Type	B	B1	B2	C	D	Ø d1	Ø d2	E	F	F2	F3	F4	G	G1	K	Ø R	S
2BH1 000-0AB32	5.7	5.2	4.8	3.5	2.8	0.8	0.7	2.1	2.6	1.1	0.3	0.6	0.4	0.04	17.7	0.2	0.4
2BH1 000-0AA53	3.7	2.4		3.6													

Dimensional drawings are also available as .dxf files on request.

Dimensions of accessories for 2BH100 (inch)

External electronics (Variotronic)

2BX4 130

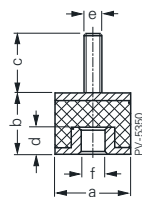


S1 Control signal

S2 Motor connection

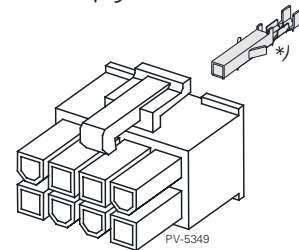
Rubber buffer

2BX4 132



Set of plugs

2BX4 131



Order no.	A	B	B1	F	N	Ø R	R1	R2
2BX4 130	4.41	3.62	3.15	3.31	0.51	0.26	0.12	0.22
Order no.	a	b	c	d	e	f		
2BX4 132	Ø0.39	0.39	0.39	0.16	M 4	M 4		

*) 2BX4 131: Pliers not included in scope of order