

Description:

AIRTECH expandable central vacuum systems are designed for general vacuum applications as well as a central system for laboratories. The fully automated system is either vertically or horizontally expandable. All systems are completely factory assembled, tested, pre-wired, and pre-plumbed with automatic alternating controls. Lead/lag operation provides vacuum on demand as required, to lower operating costs. Available as a base mounted or skid mounted unit, the system consists of:

- AIRTECH rotary vane vacuum pumps with direct coupled TEFC motors
- ASME coded receivers
- Isolation valves
- Check valves
- Flexible connectors
- Vibration isolators
- Inlet filters
- Vacuum gauges
- UL approved control panel with thru-the-door disconnects.*

Laboratory Systems (LCS) include a purge assembly and timer for each pump to cleanse the gases prior to shutdown. This feature helps eliminate condensation of gases as the pump cools.

**Control panels are also available with programmable controller with plug-in EEPROM module.*



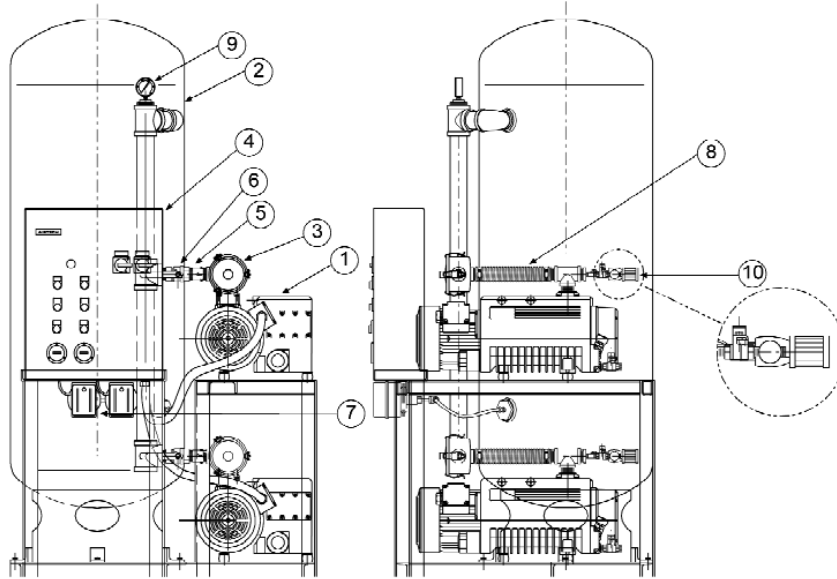
SCS-LI00-2SAE

Features:

- Skid and base systems are expandable
- Auto purging on laboratory systems
- Air-cooled standard (water cooled available)
- Automatic alternation to facilitate even pump wear
- Redundancy will eliminate downtime
- Lower operating and energy costs
- Capacities available from 20 CFM to 1780 CFM (larger upon request)
- Ultimate vacuum level-2 torr (29.8" Hg)
- Vertical expansion saves space
- Low vacuum alarm (optional)
- NFPA 99 compliant available

System Layout:

Legend:



- ① Vacuum Pump
- ② Receiver
- ③ Inlet Filter
- ④ Control Panel
- ⑤ Check Valve
- ⑥ Pump Isolation Valve
- ⑦ Vacuum Switch
- ⑧ Flexible Connector
- ⑨ Vacuum Gauge
- ⑩ Purge(Lab System)

Specifications:

SCS Standard Central System

LCS Laboratory Central System

Model #	Model #	CFM	HP	Tank Size
Duplex Expandable Systems				
Vertically Expandable:				
SCS-L25-2SAE	LCS-L25-2SAE	21	1.5	80
SCS-L40-2SAE	LCS-L40-2SAE	31	2.0	80
SCS-L63-2SAE	LCS-L63-2SAE	45	3.0	120
SCS-L100-2SAE	LCS-L100-2SAE	70	5.0	120
SCS-L160-2SAE	LCS-L160-2SAE	112	5.0	200
SCS-L230-2SAE	LCS-L230-2SAE	155	7.5	200
SCS-L250-2SAE	LCS-L250-2SAE	180	10.0	200
Horizontally Expandable:				
SCS-L400-2BAE	LCS-L400-2BAE	283	15.0	200
SCS-L630-2BAE	LCS-L630-2BAE	445	25.0	200
Triplex Expandable Systems				
Vertically Expandable:				
SCS-L25-3SAE	LCS-L25-3SAE	21	1.5	80
SCS-L40-3SAE	LCS-L40-3SAE	31	2.0	80
SCS-L63-3SAE	LCS-L63-3SAE	45	3.0	120
SCS-L100-3SAE	LCS-L100-3SAE	70	5.0	120
SCS-L160-3SAE	LCS-L160-3SAE	112	5.0	200
SCS-L230-3SAE	LCS-L230-3SAE	155	7.5	200
SCS-L250-3SAE	LCS-L250-3SAE	180	10.0	200
Horizontally Expandable:				
SCS-L400-3BAE	LCS-L400-3BAE	283	15.0	200
SCS-L630-3BAE	LCS-L630-3BAE	445	25.0	200