

Description:

The AIRTECH *Dual Knock-out Pot / Inlet Filter* is designed to protect your vacuum pump from liquid slugs and solid debris.

Preventing entry of liquids and solid particulates into the pump will reduce pump oil / contamination, improves operating efficiency and prolongs the life of the pump.

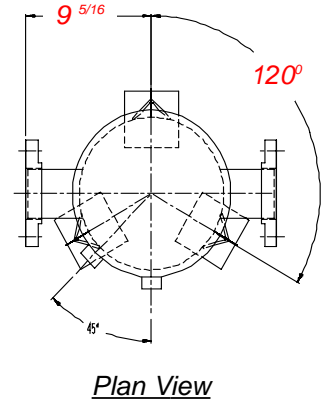
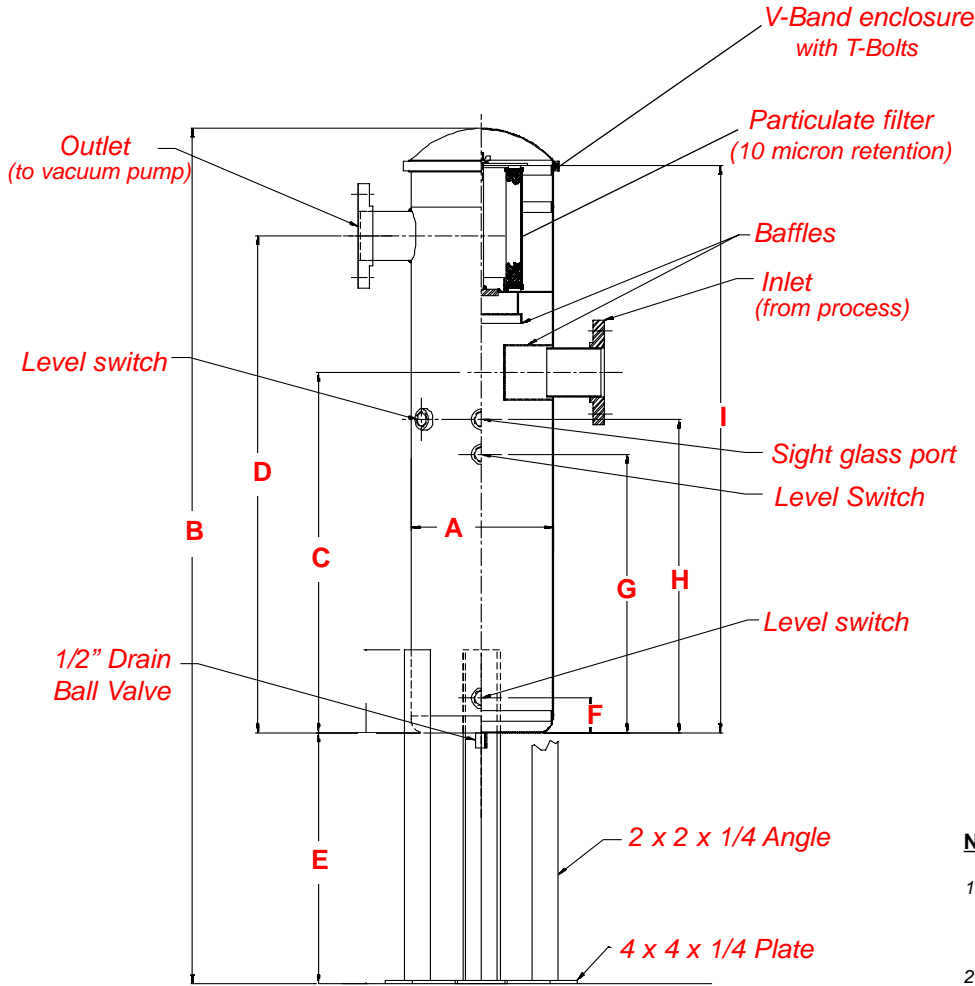
Entrained liquid is separated in the knock-out pot by a unique baffle design. Elimination of demister pads minimizes pressure drop in the vessel.

Multi-stage separation is accomplished by the initial tangential entry of the gas stream baffle location; the particulate filter which removes solids down to 10 micron in size.

**Features:**

- Simplistic space saver design, for liquid and solid separation
- Removable cover with V-band closure and T-bolts (*no tools required*)
- Carbon steel or stainless steel housing designed and tested for full vacuum service
- Self-supporting on three legs for free standing installation
- Access ports for 3 level switches, sight glass, and various instrumentation
- Liquid drain valve
- Design pressure - Full vacuum
- Design temperature - 20 to +200° F

Design Data:



Notes:

1. Material: Housing 300 Series SS.
Element: Media: 10 micron polyester felt
End seal: Black epoxy w/ polyester felt gasket.
2. Design pressure: Full vacuum
3. Design temperature: -20 to +200° F. max.

Dimensions: (inches)

Model	A	B	C	D	E	F	G	H	I	Inlet	Exhaust	Condensate Volume
AT-KOP-8	8	55	25	25	18	2 ^{1/2}	20	22 ^{1/2}	37	2"-150#	2"-150#	5 gal.
AT-KOP-11	10 ^{3/4}	61 ^{3/8}	25 ^{7/8}	35 ^{11/16}	18	2 ^{1/2}	20	22 ^{1/2}	40 ^{3/4}	3"-150#	3"-150#	10 gal.