



Self-Contained Liquid Ring Vacuum Pump

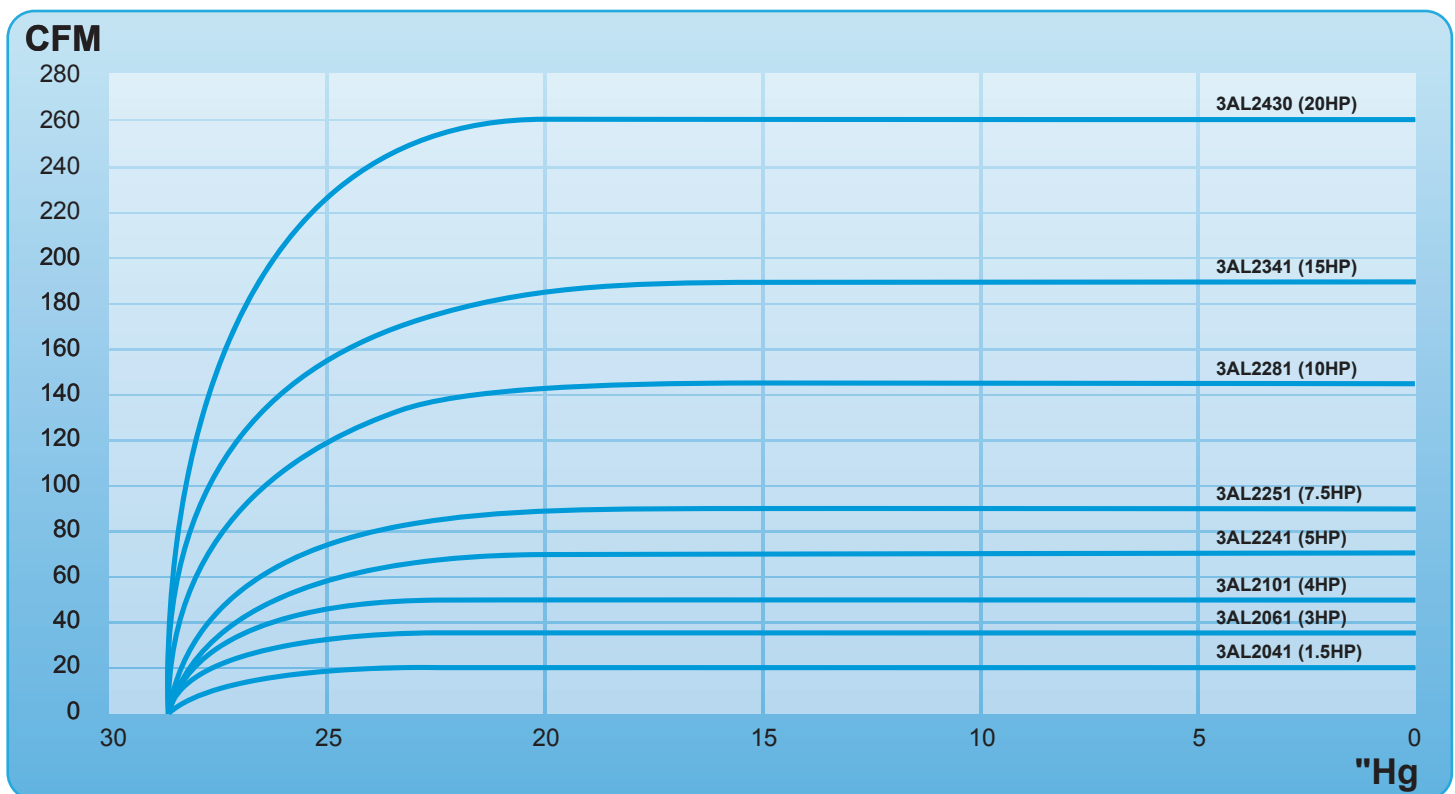
The Airtech 3AL vacuum pump uses proven liquid ring technology in an air-cooled self-contained package, offering reliable operation with only a small amount of make-up water needed for some applications.

A low maintenance alternative to rotary vane, screw and piston type vacuum pumps that is especially suitable for high water-vapor applications and which reduces maintenance to a minimum.

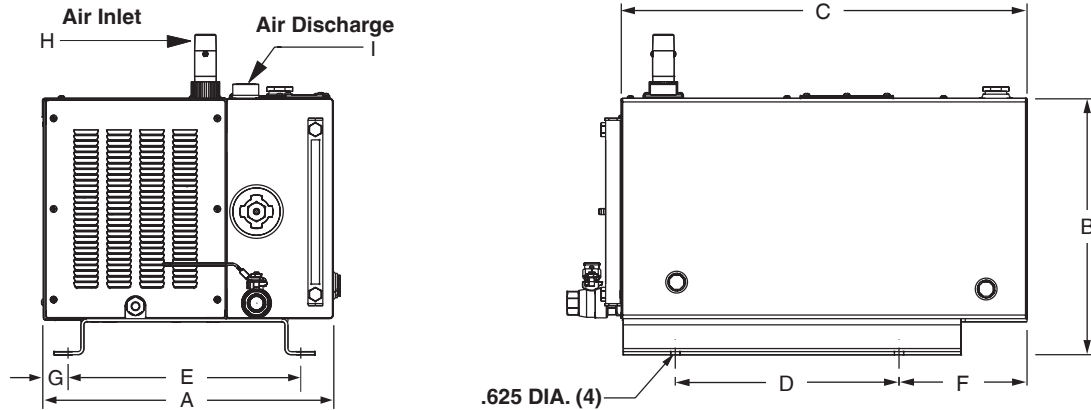
Features:

- Oil Free
- Self Contained
- Maintenance Free
- All steel shell with stainless reservoir for additional durability
- Food Grade Configuration with all external components in 304 Stainless available
- Compact
- Quiet Operation
- Easy to install
- Maximum vacuum of 28.5 Hg

** All Stainless Steel units also available

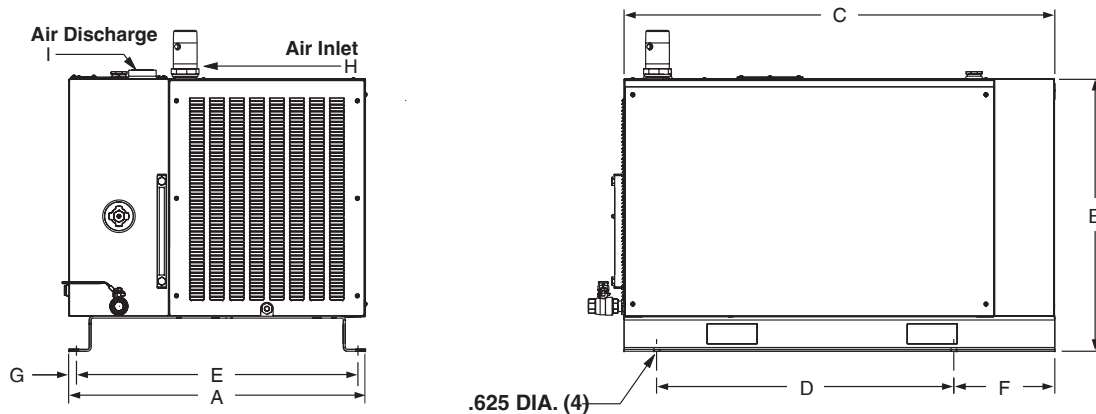


Dimensions: (inches) 2041-2101



Model	A	B	C	D	E	F	G	H (MNPT)	I (FNPT)
3AL2041	17.6	15.5	24.6	13.6	14.1	7.8	1.5	1"	1"
3AL2061	21	18.8	30	17.8	19.5	9.0	.8	1.5"	1.5"
3AL2101	21	18.8	30	17.8	19.5	9.0	.8	1.5"	1.5"
3AL2241	29.7	27.2	43.1	29.7	28.2	10.1	.8	2"	2"
3AL2251	29.7	27.2	43.1	29.7	28.2	10.1	.8	2"	2"
3AL2281	29.7	27.2	43.1	29.7	28.2	10.1	.8	2"	2"
3AL2341	29.7	27.2	43.1	29.7	28.2	10.1	.8	2"	2"
3AL2430	29.7	27.2	43.1	29.7	28.2	10.1	.8	2"	2"

Dimensions: (inches) 2241-2430



Performance Data - Vacuum (60 Hz)

Model	Rated H.P.	CFM	RPM	Voltage Range	Max Amps	Sound Level dB(A)	Weight (lbs.)
3AL2041	1.5	18	3450	208-230/460	4.9/3.4	66	105
3AL2061	3	33	3450	208-230/460	7.6/4.4	70	150
3AL2101	4	48	1750	208-230/460	12.9/5.9	74	190
3AL2241	5	72	1750	208-230/460	18/8.6	74	360
3AL2251	7.5	86	1750	208-230/460	25.5/11.5	71	380
3AL2281	10	144	1750	208-230/460	30/15.5	73	470
3AL2341	15	187	1750	208-230/460	46.5/25	76	580
3AL2430	20	262	1750	208-230/460	68/39	76	620