

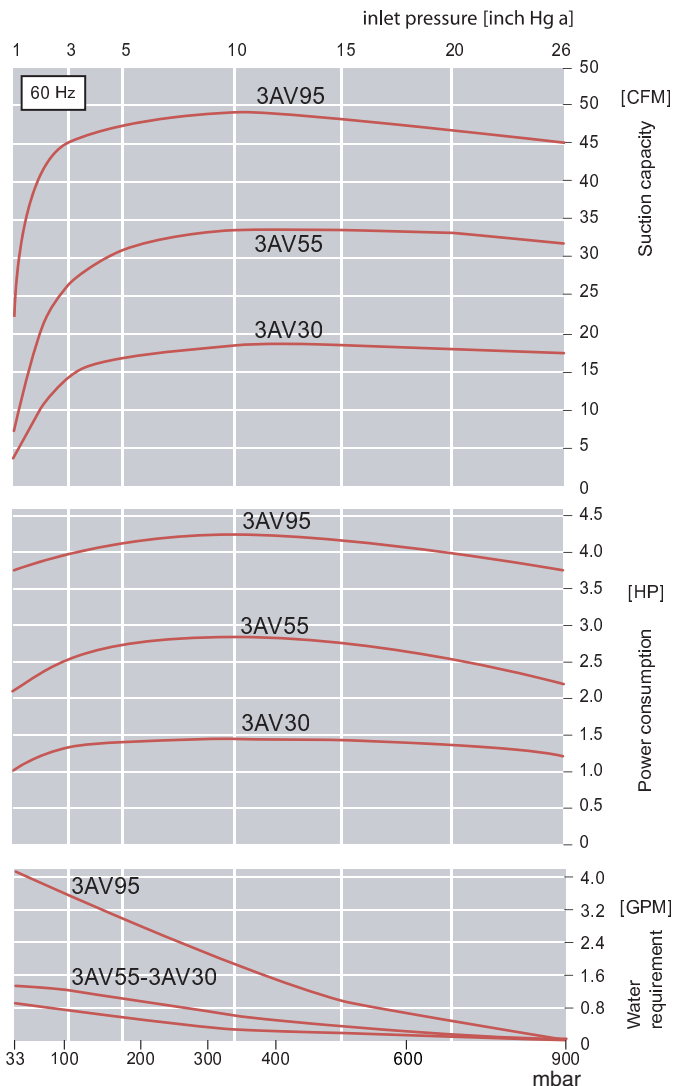
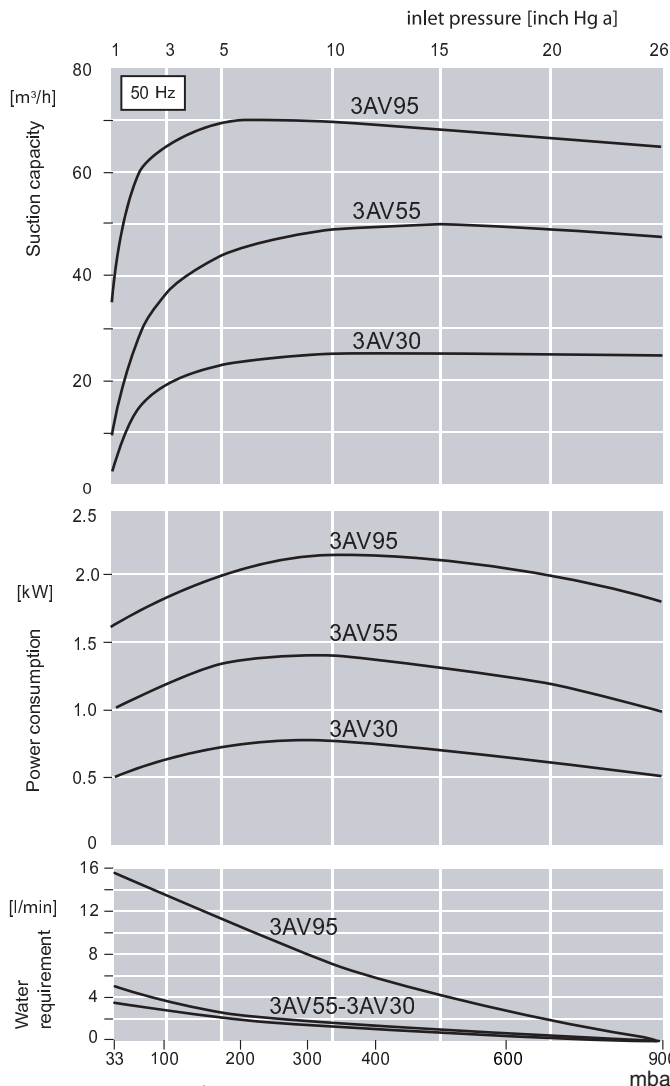


The Airtech 3AV Series closed-coupled Liquid Ring Vacuum Pumps are ideal for various applications that require continuous & quiet operation, a compact design and reduced power consumption.

The single stage, variable discharge port design provides efficient operation from 1 through 262 cfm for vacuum levels up to 29"Hg. The impeller's unique design of slower spinning curved blades reduces tip speed enhancing the life expectancy of the pump.

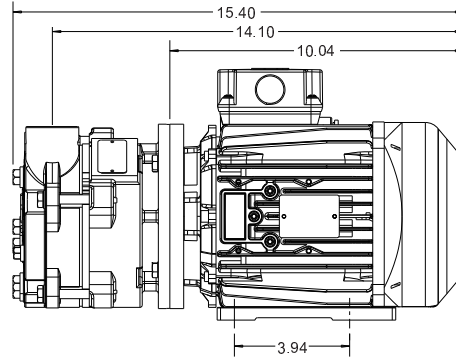
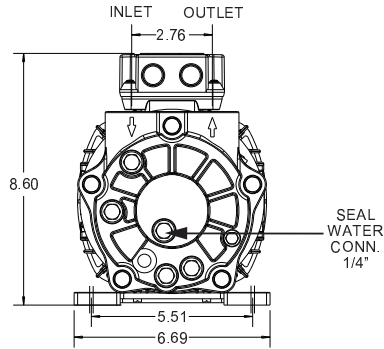
- More compact than conventional liquid ring pumps
- No belts, no couplings - alleviating problems with wear, alignment and belts
- Standard pumps have cast iron housing, Stainless Steel impeller & PTFE flap valve.

- Other materials of construction are available
- Designed for heavy duty applications
- Manufactured to ISO 9001 standards
- Single face mechanical seal arrangement is standard

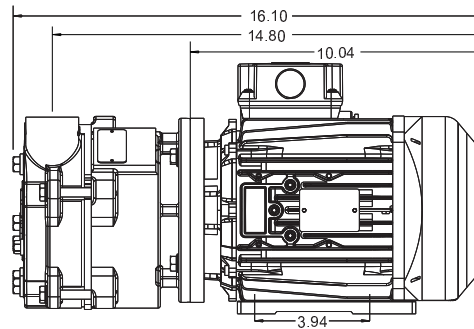
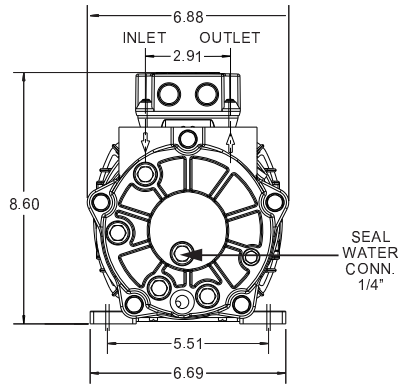


Dimensions: (inches)

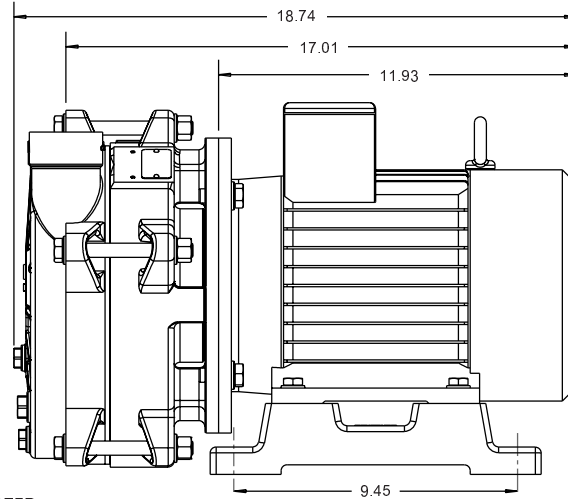
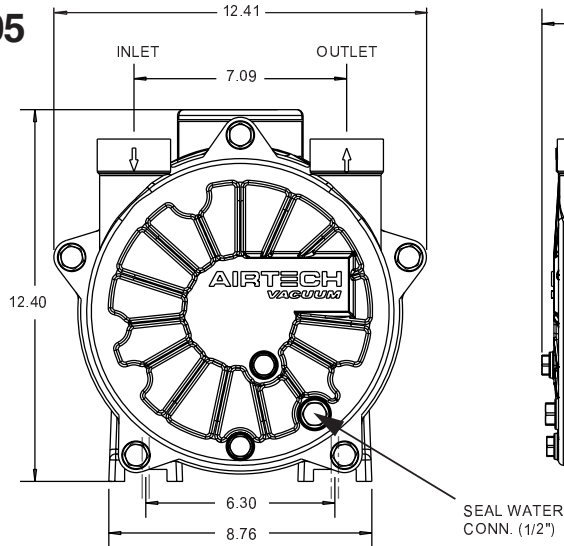
3AV 30



3AV 55



3AV 95



Performance Data - Vacuum (60 Hz)

Model	Rated H.P.	CFM	RPM	Voltage Range	Max Amps	Seal Water (GPM)	Sound Level dB(A)	Weight (lbs.)	Inlet/Outlet
3AV 30	1.5	18	3450	208-230/460	4.9/3.4	1.0	68	44	1"
3AV 55	3.0	33	3450	208-230/460	7.6/4.4	1.5	69	55	1"
3AV 95	4.0	48	1750	208-230/460	12.9/5.9	4.0	65	130	1 1/2"

The characteristics are applicable for compression of 20° C (68° F) dry air from inlet pressure to atmospheric pressure (1013 mbar / 30 inch Hg a) for nominal speed and drive with three phase motors. Ring liquid is water at 15° C (59° F). The tolerance of the suction capacity is -10% and of the power consumption is +10%. With different operating conditions characteristic curves change (e.g. differing gas operating liquid conditions, conveying of additional liquids and/or pumping of gas-steam mixtures).