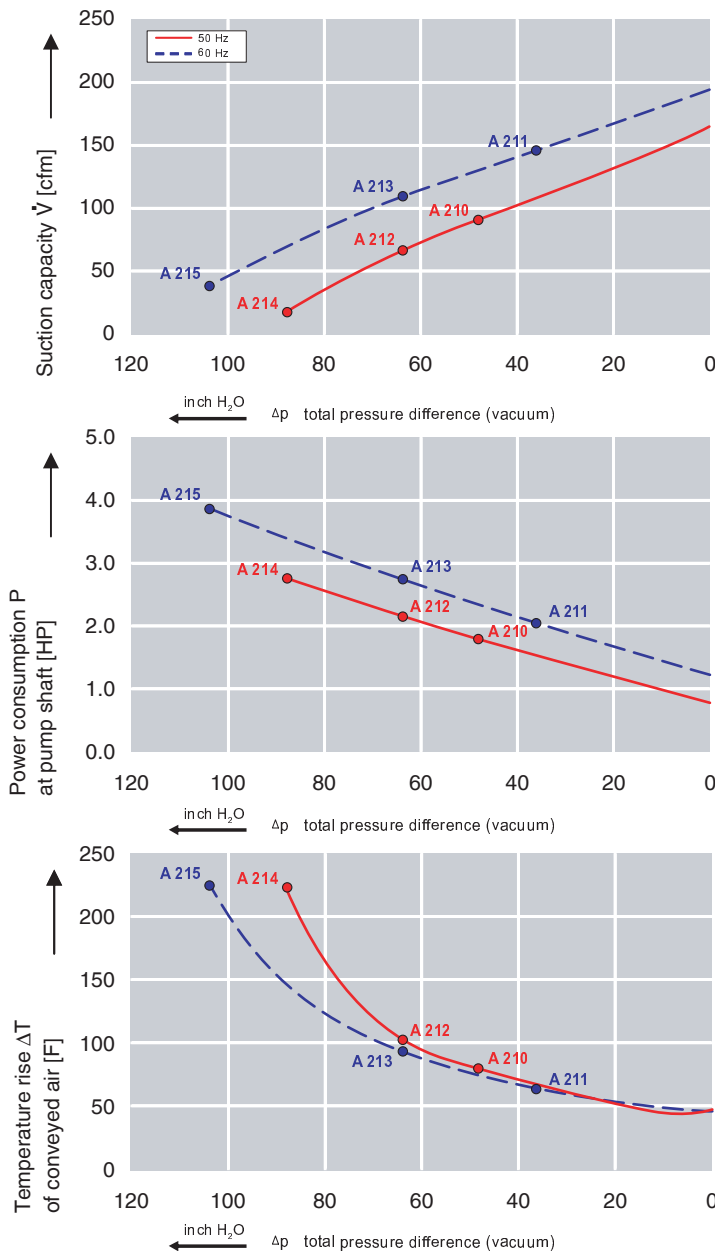




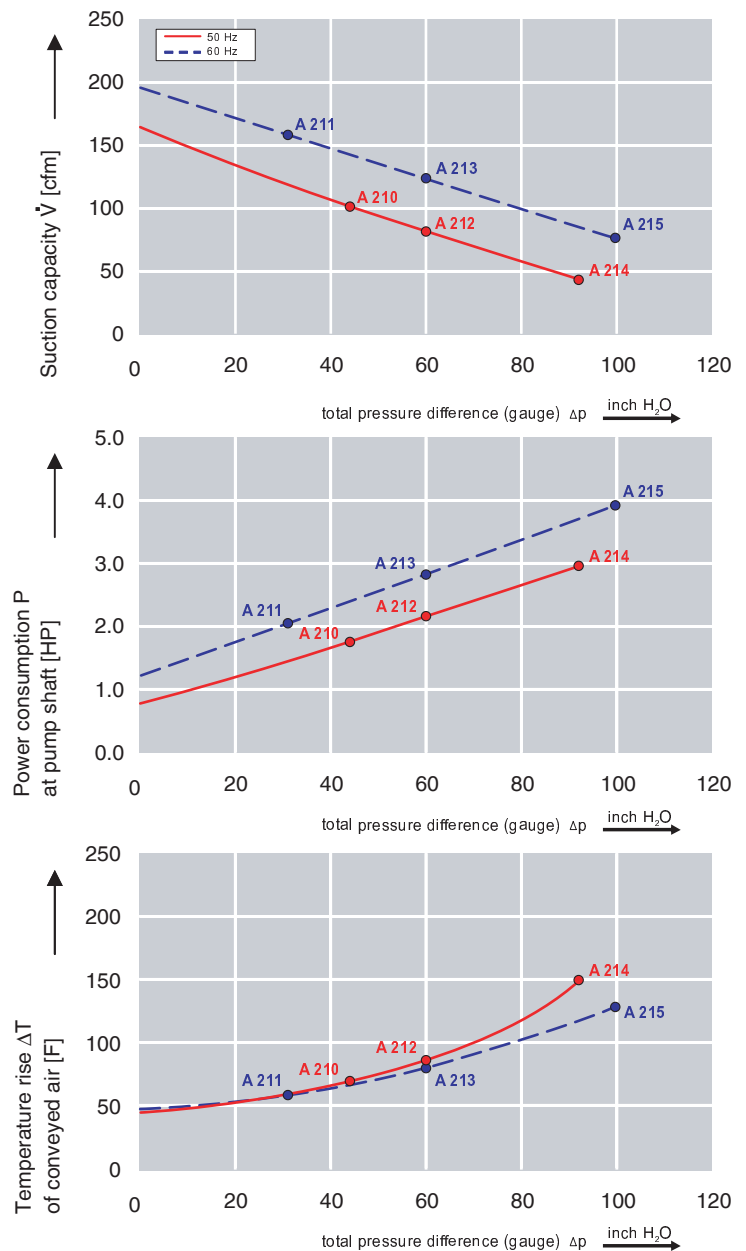
### Features:

- Cooler running, outboard bearing provides maintenance-free operation
- Environmentally friendly oil-free technology
- Extremely quiet operation
- All motors are standard TEFC with Class F insulation, UL recognized, CE Compliant  
*Explosion-Proof motors available*
- Custom construction blowers are available
- Rugged die cast aluminum construction

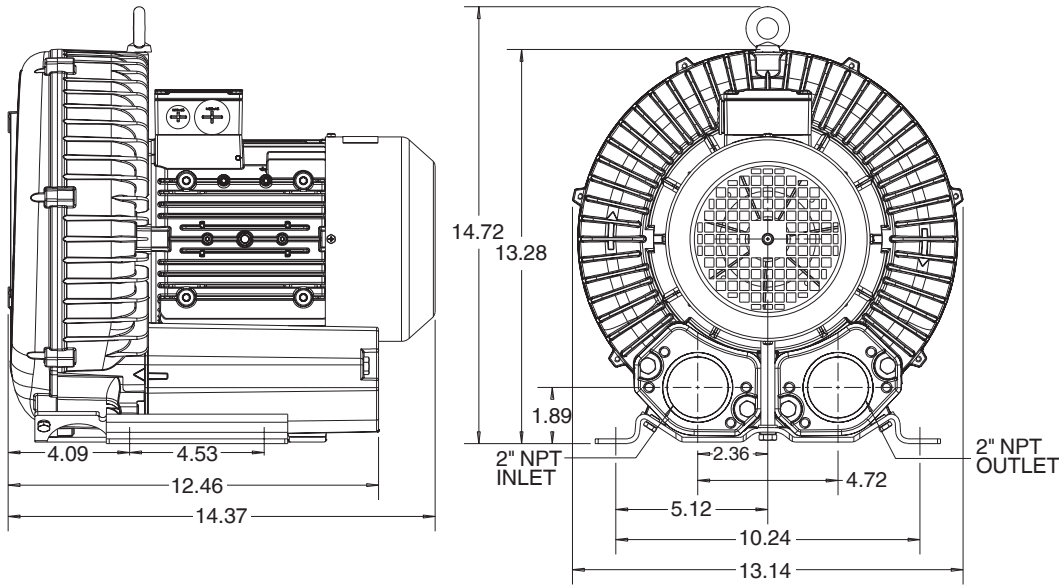
Performance curve for Vacuum pump



Performance curve for Compressor



### Dimensions: (inches)



### Recommended Accessories:

#### Relief valve:

VC61Z (Vacuum)  
PC61Z (Pressure)

#### Filter:

ATF-200-15124/1  
(Vacuum)  
AFS-30-200-10  
(Pressure)

Specifications subject to change without notice. Please contact factory for specification updates.

### Selection & Ordering Data - Type 3BA1530

Curve No.	Order No.	Fre- quency Hz	Rated power HP	Input voltage		Input current		Permissible total differential pressure		Sound pressure level dB(A)	Weight lbs
				V		A		Vacuum inch H2O	Compressor inch H2O		
<b>3~ 50/60 Hz IP55 insulation material class F</b>											
A 210	3BA1530-7AT16	50	1.74	200D ... 240D	345Y ... 415Y	5.7D	3.3Y	- 48	44	65	46
A 211	3BA1530-7AT16	60	2.01	220D ... 250D	415Y ... 460Y	5.7D	3.3Y	- 36	32	71	46
A 212	3BA1530-7AT26	50	2.15	200D ... 240D	345Y ... 415Y	7.5D	4.3Y	- 64	60	65	49
A 213	3BA1530-7AT26	60	2.75	220D ... 250D	415Y ... 460Y	7.6D	4.4Y	- 64	60	71	49
A 214	3BA1530-7AT36	50	2.95	200D ... 240D	345Y ... 415Y	9.7D	5.6Y	- 88	92	65	57
A 215	3BA1530-7AT36	60	3.42	220D ... 250D	415Y ... 460Y	10.3D	6.0Y	-104	100	71	57

Suitable for 208 Volt Operation

All curves are rated at 14.7 psia and 68° F ambient conditions and are reported in SCFM referenced to 68° F and 14.696 psia sea level conditions. Curve values are nominal, actual performance may vary by up to 10% of the values indicated. For inlet temperatures above approximately 80 °F or for handling gases other than air, please contact your Airtech sales representative for assistance.