

Airtech AD Series vacuum boosters are positive displacement, roots-type blowers intended for use in conjunction with a mechanical backing pump. The AD booster pumps have a simple weighted bypass design that allows start-up from atmosphere.

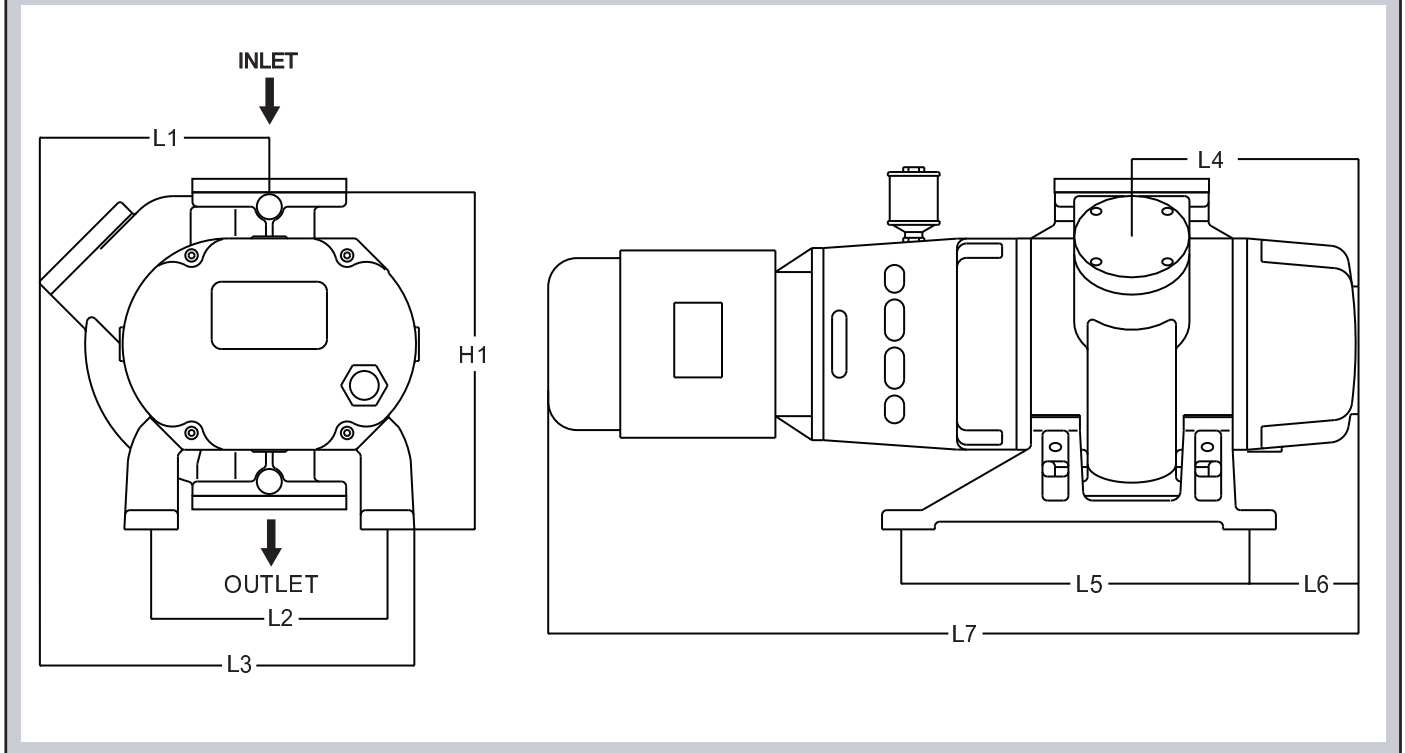
The design has the following advantages:

The bypass design allows the booster to be started at the same time as the backing pump (at atmospheric pressure) as it prevents motor overload. The AD booster pump therefore assists the pumping process from the start of pumpdown.

Features:

- Pumpdown times cut by up to 50%
- Reduced capital and operating costs
- No pressure sensors, special drives or leaking seals.
- Can operate continuously at all pressures when used with a backing pump.
- Vertical flow self draining in all models
- Weighted bypass ensures simple, trouble-free cut-in
- Available for applications where oxygen or other reactive gases are present
- Quiet, vibration free operation
- Simple installation, can be mounted directly on backing pump.
- Integral oil cooler on largest models for tough applications

Dimensions: (inches)



Model	L1	L2	L3	L4	L5	L6	L7	H1	INLET (NPT)	OUTLET (NPT)
AD500	9.37	9.68	15.55	9.29	14.56	4.17	33.26	13.77	3"	3"
AD1200	11.88	10.82	19.48	12.24	20.07	5.47	42.51	16.49	4"	4"
AD2600	16.14	15.27	25.27	14.44	29.13	5.90	48.66	20.86	6"	4"

AD Series Data

Model	AD 500	AD 1200	AD 2600
Displacement (CFM)	380	765	1524
Motor (HP/kW)	3/2.6	5.5/4.0	10/7.5
Speed @60Hz	3600	3600	3600
Backing Pump	L250	L250/400/630	L400/630
Maximum Ambient Temperature (°F)	40-104F	40-104F	40-104F
Oil Capacity	2.8	2.8	7.5
Cooling Water (When required by application)	-	-	1.2 gpm