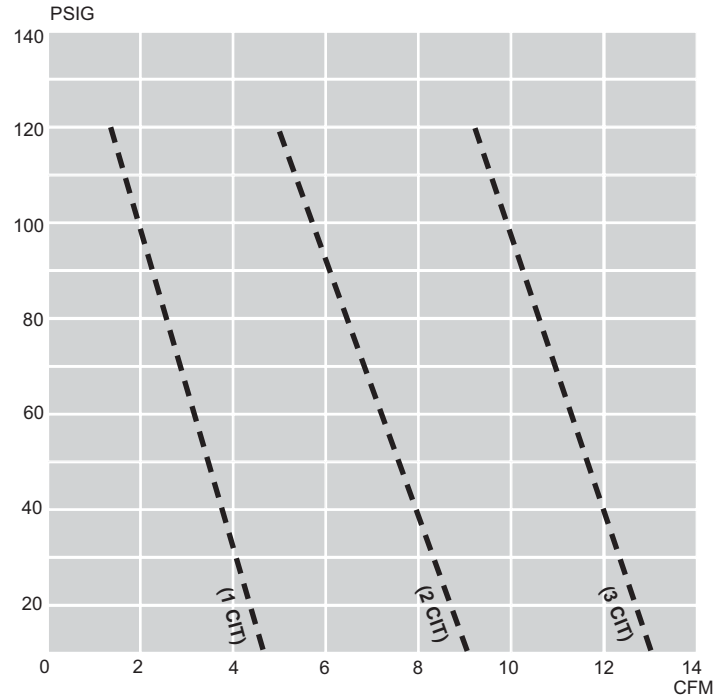




**Performance Curves: 60Hz**

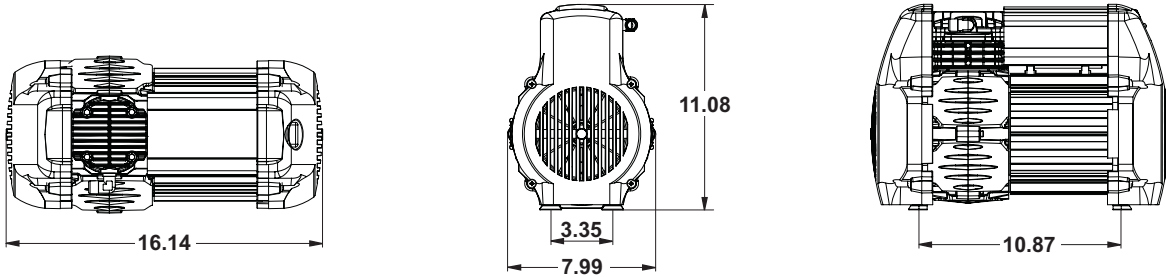


**Features:**

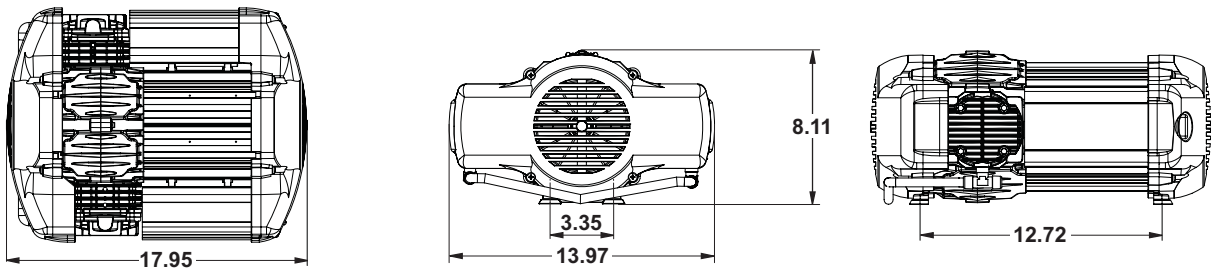
- Totally Oil-less construction
- Low noise
- Long life piston rings
- High efficiency valves
- High capacity cooling system
- TEFC motor
- Built in filter/silencers
- Precision cast, high heat rejection cylinder castings

### Dimensions (inches):

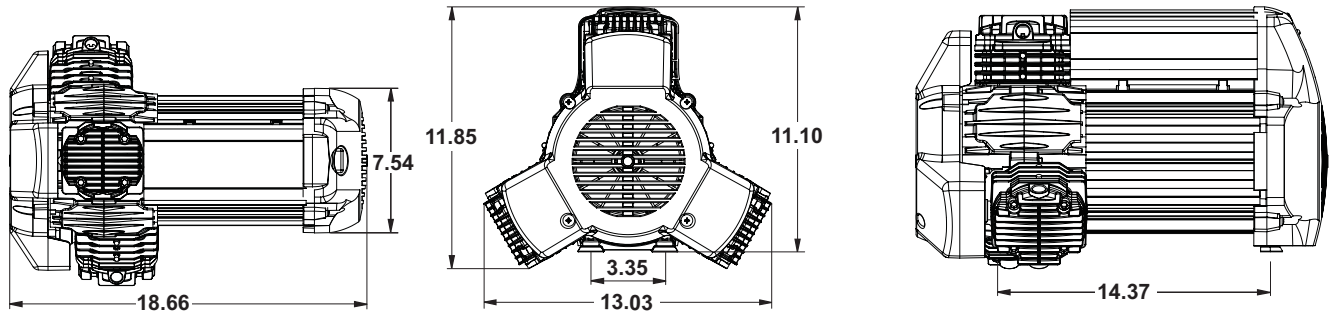
#### 1CIT:



#### 2CIT:



#### 3CIT:



### Specifications:

Model	1CIT-1	1CIT-3	2CIT-1	2CIT-3	3CIT-1	3CIT-3
Horsepower	1.0	1.0	2.0	2.0	2.5	2.5
RPM	1700	1700	1700	1700	1700	1700
Displacement (SCFM)	4.5	4.5	9.0	9.0	13.0	13.0
Max. PSIG	110	110	125	125	125	125
No. of Cylinders	1	1	2	2	3	3
Volts/Hz	115/230/60	230/460/60	115/230/60	230/460/60	230/60	230/460/60
Amps	9.0/4.5	4.4/2.2	18.4/9.2	7.5/3.8	24.0/12.0	8.0/4.0
Weight (lbs)	40	40	55	55	68	61