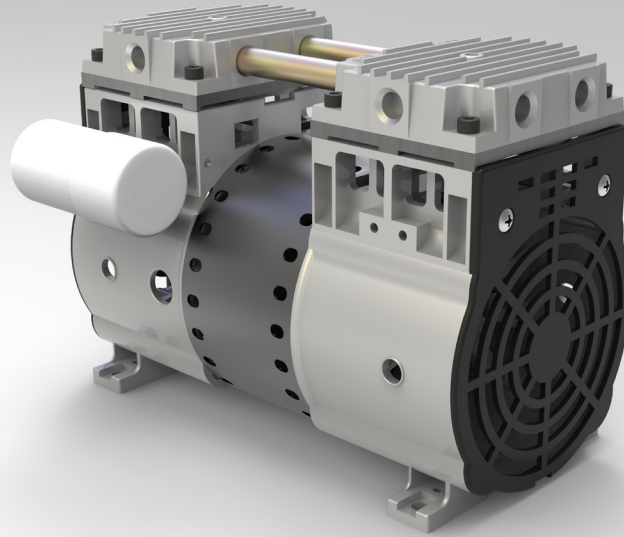
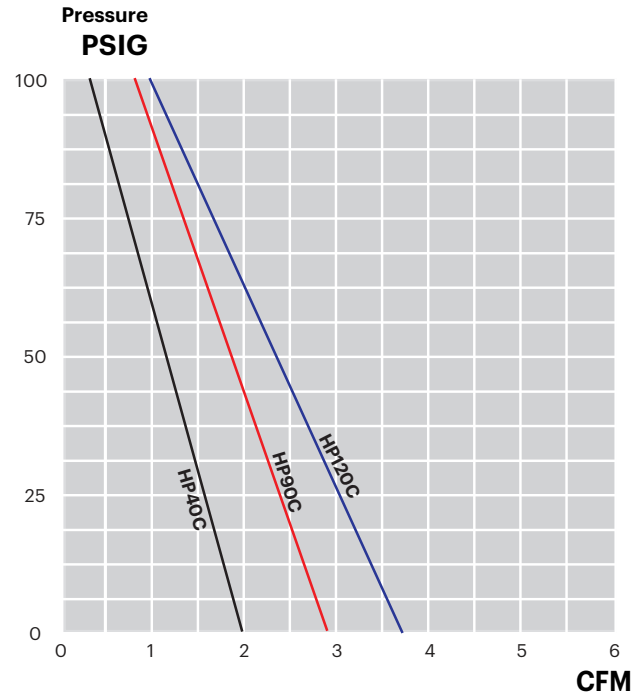
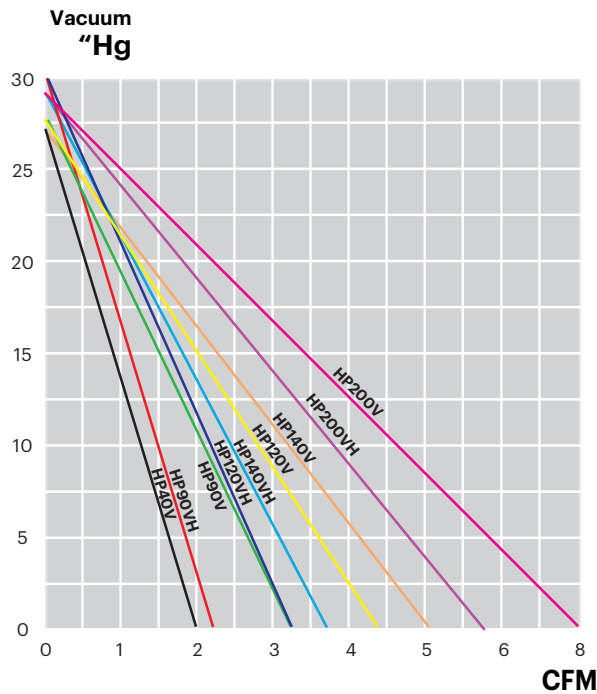


FEATURES

- o High efficiency cooling fan
- o Hard coated compression cylinder
- o Extremely quiet operation
- o precision valve plates
- o Maintenance-free operation
- o Optional vacuum restart



Performance Curves: 60Hz



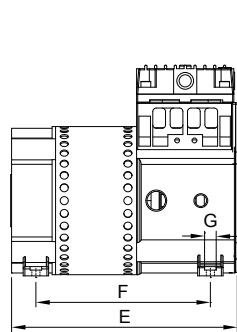
AIRTECH, INC.

RUTHERFORD, NJ 07070
 WWW.AIRTECHUSA.COM
 TEL: (888) 222-9940
 FAX: (201) 569-1696

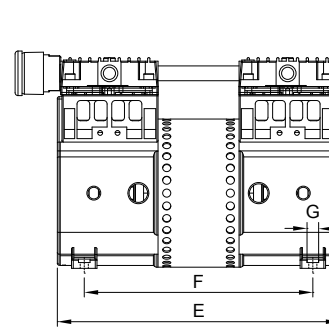
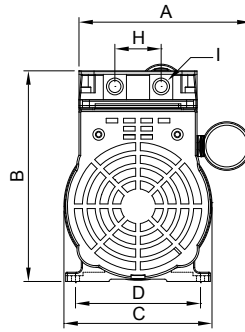
NOTES

- Standard voltage for single phase pumps is 115/1ph 60Hz, or 230V/1ph 50/60Hz
- All pumps available in other voltages.
- Specifications subject to change without notice, consult Airtech for specification updates.

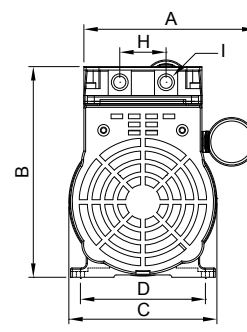
DIMENSIONS (INCHES)



Model 40



Models 90, 120, 140, 200



Model	A	B	C	D	E	F	G	H	I	Weight
40	5.8	7.2	∅ 5.0	4.3	7.7	6.0	∅ 0.4	1.6	1/4" NPT	15.0 Lbs
90	5.9	7.1	∅ 5.0	4.3	9.6	7.8	∅ 0.4	1.6	1/4" NPT	18.4 Lbs
120	5.9	7.2	∅ 5.1	4.3	9.6	7.8	∅ 0.4	1.6	1/4" NPT	18.5 Lbs
140	5.9	7.2	∅ 5.1	4.3	9.6	7.8	∅ 0.4	1.6	1/4" NPT	18.5 Lbs
200	5.9	8.0	∅ 5.0	4.3	9.6	7.8	∅ 0.4	1.6	3/8" NPT	24.7 Lbs

SPECIFICATIONS (VACUUM)

Model	HP40V	HP90V	HP90VH	HP120V	HP120VH	HP140V	HP140VH	HP200V	HP200VH
Max Air Flow (CFM)	2	3.2	2.33	4.3	3.20	5.05	3.71	8.0	5.8
Max Vacuum ("Hg)	26.77	27.56	29.13	27.56	29.13	27.56	29.13	27.75	29.13
Voltage (1 Phase)	115/220	115/220	115/220	115/220	115/220	115/220	115/220	115/220	115/220
Max. Amps	1.4/0.8	3.6/1.6	3.6/1.6	3.8/1.8	3.8/1.8	3.8/1.8	3.8/1.8	5.9/2.5	5.9/2.5
Motor Capacity (Watts)	150	350	350	450	450	450	450	680	680
Motor Speed (RPM)	1750	1750	1750	1750	1750	1750	1750	1750	1750
Noise Level [dB(A) at 3']	56	56	56	56	56	56	56	56	56

SPECIFICATIONS (PRESSURE)

Model	HP40C	HP90C	HP120C
Max Air Flow (CFM)	1.8	2.85	3.7
Max Pressure (PSI)	100	100	100
Voltage (1 Phase)	115	115	115
Max. Amps	3.5	6.0	6.8
Motor Capacity (Watts)	400	650	750
Motor Speed (RPM)	1750	1750	1750
Noise Level [dB(A) at 3']	62	62	62

AIRTECH, INC.

RUTHERFORD, NJ 07070
WWW.AIRTECHUSA.COM
TEL: (888) 222-9940
FAX: (201) 569-1696