

FEATURES

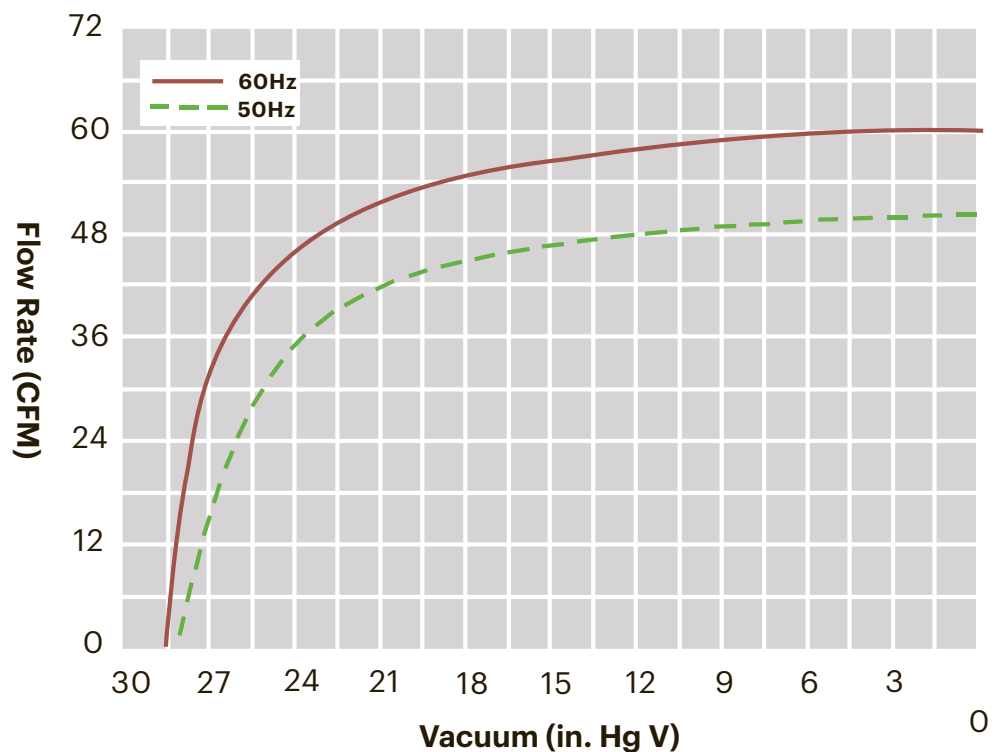
- Non-contact design
- Dry (oil-free) pumping chamber
- Air-cooled & direct driven
- Simple, modular construction
- Suitable for variable speed applications



Quality construction and design features make KCP positive displacement rotary claw vacuum pumps extremely reliable and easy to maintain. The KCP's non-contact design reduces internal wear, and air-cooled operation eliminates the need for cooling liquid. The unit is also dry-running, so no sealing or lubrication oil is needed in the pumping chamber. Claw shaped rotors inside the pump housing rotate in opposite directions, compressing air and discharging to the atmosphere through a silencer. The two rotors are synchronized by gears that are oil lubricated to facilitate a long gear life

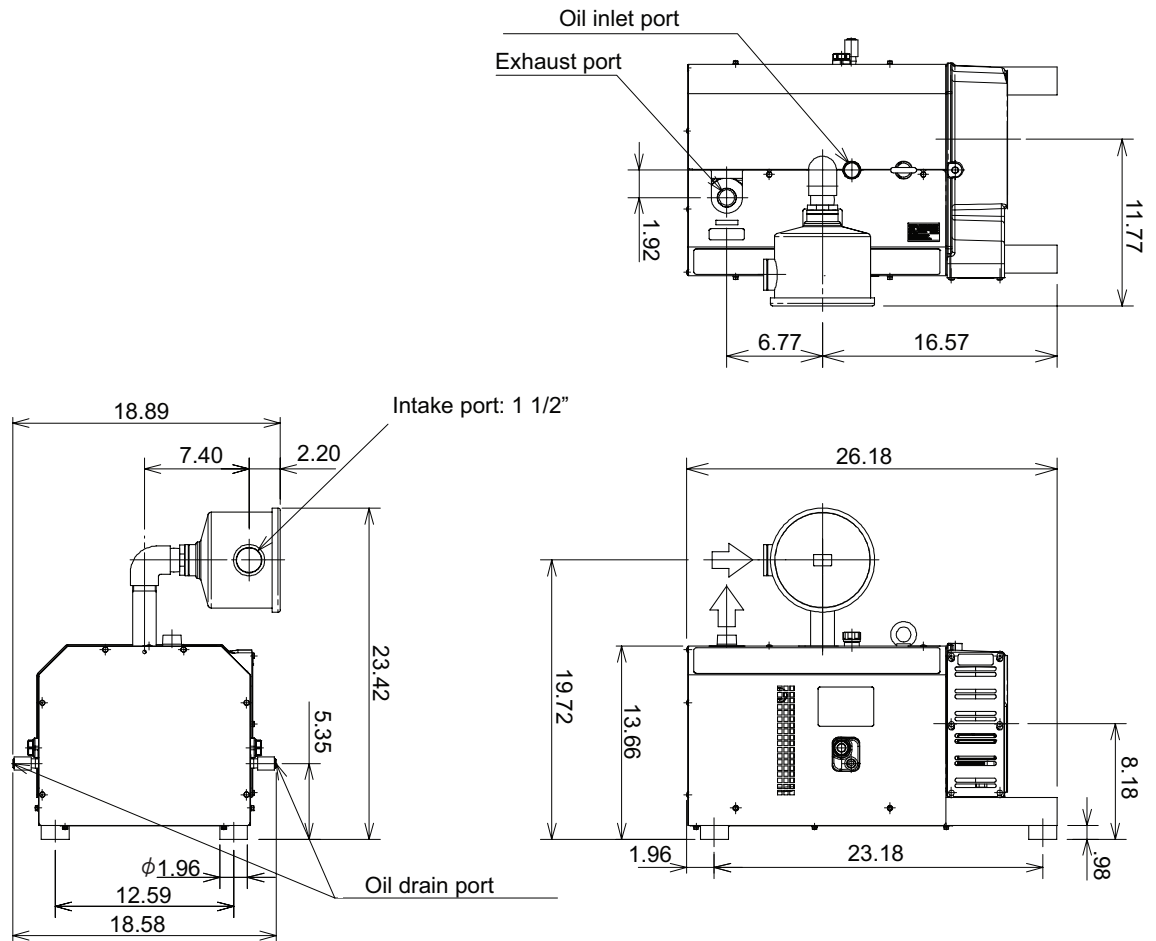
PERFORMANCE CURVE

Performance Curves



Specifications are subject to change without notice. Please contact factory for specification updates.

DIMENSIONS (INCHES)



PERFORMANCE DATA

Power Frequency (Hz)	50 Hz	60 Hz
Capacity [CFM]	50	60
Continuous Operating Vacuum (Hg)	25.1	25.1
Ultimate Vacuum (Hg)	26.6	27.8
Piping Connection Size (NPT)	1 1/2"	1 1/2"
Output Power (HP/RPM)	3HP/2950 RPM	3HP/3500 RPM
Rate Voltage (V)	200V/400V	208-230V/480V
Weight (lb)*	374	374
Operation Noise Level (dB)	74	75

*Depends on motor manufacturer

AIRTECH, INC.

RUTHERFORD, NJ 07070
 WWW.AIRTECHUSA.COM
 TEL: (888) 222-9940
 FAX: (201) 569-1696