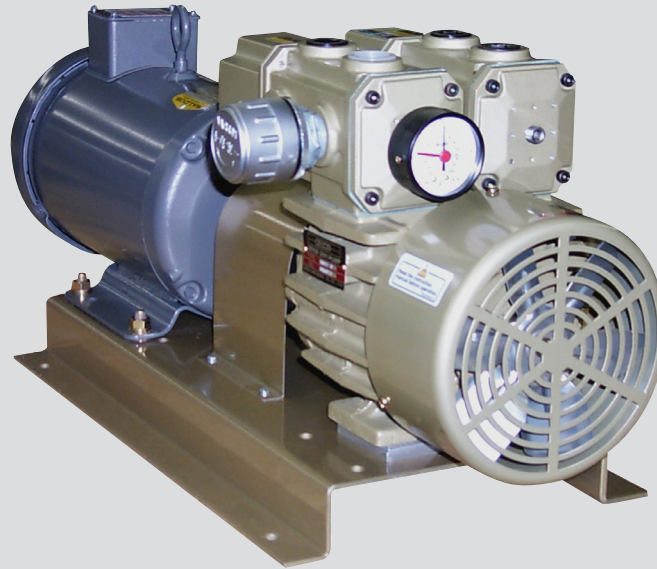
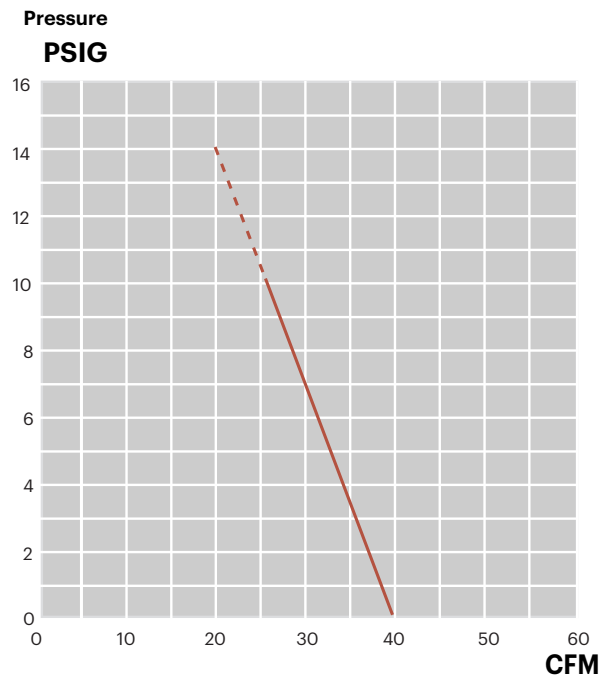
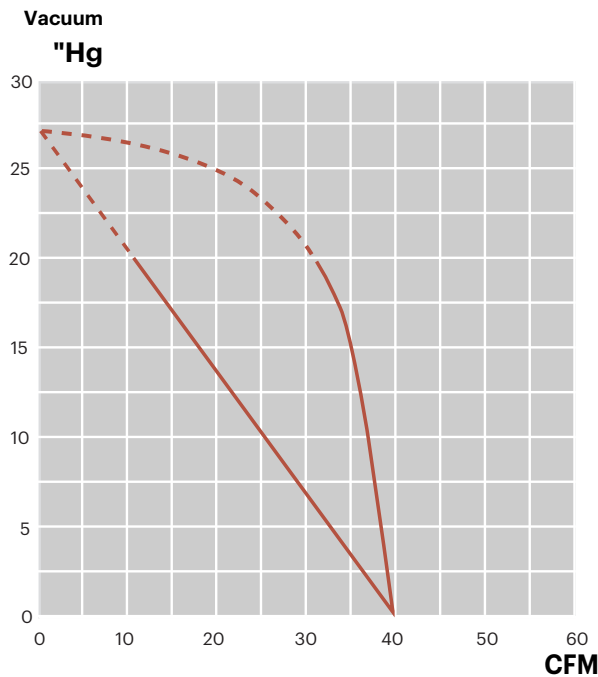


FEATURES

- o Oil free
- o Maintenance free design
- o Operates quietly at a maximum 70 dB(A)
- o Cooler running outboard bearings increase service life
- o Built-in particulate filters and silencers
- o Compact light-weight design
- o Handles vacuum and/or pressure applications
- o Ideal alternative to standard oil sealed rotary vane pumps



Performance Curves: 60 Hz



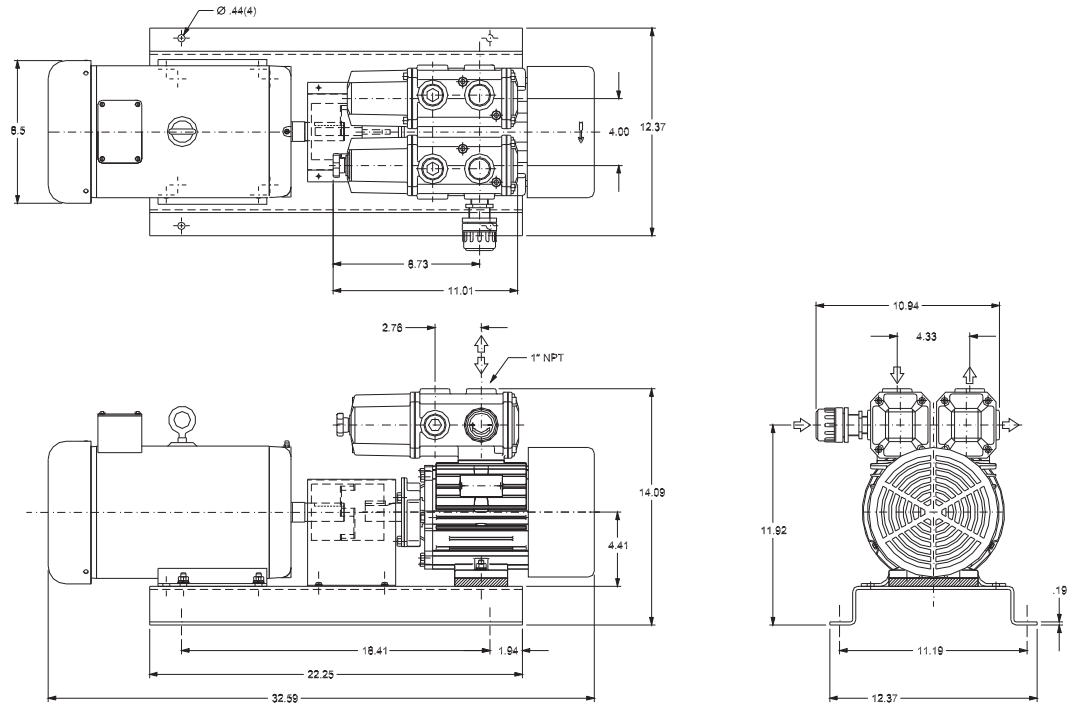
AIRTECH, INC.

RUTHERFORD, NJ 07070
 WWW.AIRTECHUSA.COM
 TEL: (888) 222-9940
 FAX: (201) 569-1696

NOTES

- o Standard voltage for three phase pumps is 208-230/460V 3ph 60Hz.
- o Standard voltage for single phase pumps is 115/230/1ph 50/60Hz, or 115V/1ph 60Hz, or 230V/1ph 60Hz
- o All pumps available in 50Hz frequency and with other voltages.

DIMENSIONS (INCHES)



SPECIFICATIONS (VACUUM)

Model	Motor	RPM	HP	CFM	Max. "Hg	LBS	Kgs
KRX7A-SS-G	No motor			40	27.5"	115	52
KRX7A-SS-G1	208-230/460V	1170	3.0	40	27.5"	165	75
KRX7A-SS-G4	115/230V	1170	3.0	40	27.5"	180	82

SPECIFICATIONS (PRESSURE)

Model	Motor	RPM	HP	CFM	Max. PSI	LBS	Kgs
KRX7A-SS-G	No motor			40	14 psig	115	52
KRX7A-SS-G1	208-230/460V	1170	3.0	40	14 psig	165	75
KRX7A-SS-G4	115/230V	1170	3.0	40	14 psig	180	82

AIRTECH, INC.

RUTHERFORD, NJ 07070
WWW.AIRTECHUSA.COM
TEL: (888) 222-9940
FAX: (201) 569-1696