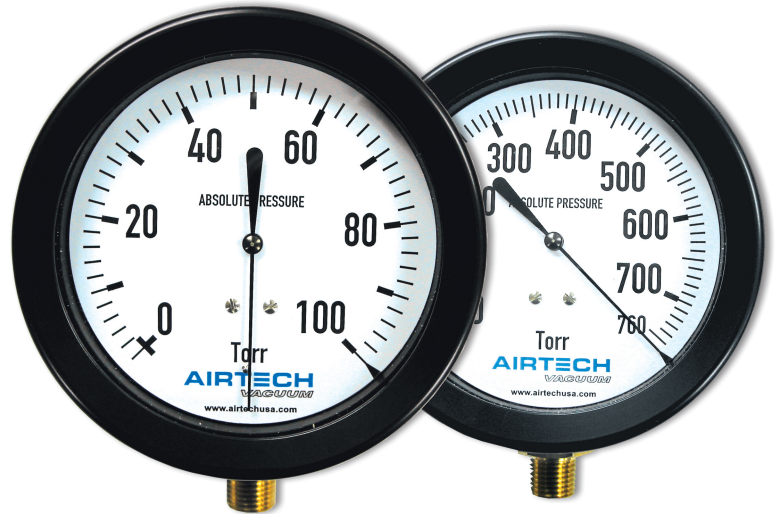


Description:

AIRTECH's Capsule Vacuum Gauges are designed to measure absolute pressure in Torr and give readings that are independent of barometric pressure. Variation of pressure causes deformation of the hermetically-sealed aneroid capsule. The evacuated capsule transfers this movement mechanically to the pointer that indicates the pressure in absolute terms.



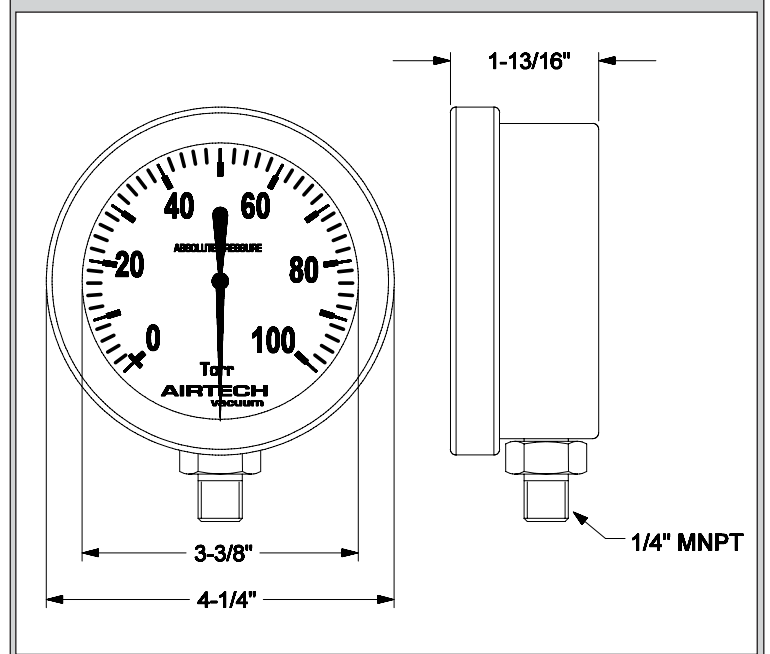
Model VCG-100

Model VCG-760

Features:

- Accuracy
± 2% of full scale deflection
- Range & Graduations
 - **VCG 100** 0-100 Torr 2 Torr/scale division
 - **VCG 760** 0-760 Torr 10 Torr/scale division
- Materials of Construction
 - Case - aluminum alloy with "O" ring sealed tempered glass face
 - Dial Plate - aluminum
 - Pointer - aluminum
 - Pressure element - beryllium copper
- Connection
1/4" MNPT Bottom Connection

Dimensions: (inches)



Description:

The AIRTECH Bourdon Tube Vacuum Gauges are designed for general vacuum service. These gauges are commonly used on central systems, in OEM applications and for industrial services that require indication in inches of mercury (in. Hg).

This general purpose gauge is designed for use when pressure medium is non-corrosive to brass or phosphor bronze.



VG-2



VG-4

Specifications:

Model	VG-2	VG-4
Ranges	0-30" Hg	0-30" Hg
Accuracy	2%	1%
Graduations	1" Hg	.5" Hg
Movement	Brass	Brass
Case and Ring	High impact polycarbonate	SS case with pressed-on ring-acrylic lens
Pointer	Polycarbonate	Aluminum-Friction
Connection	1/4" NPT Back	1/4" NPT Bottom
Dial Size	2 inches	4 1/4 inches