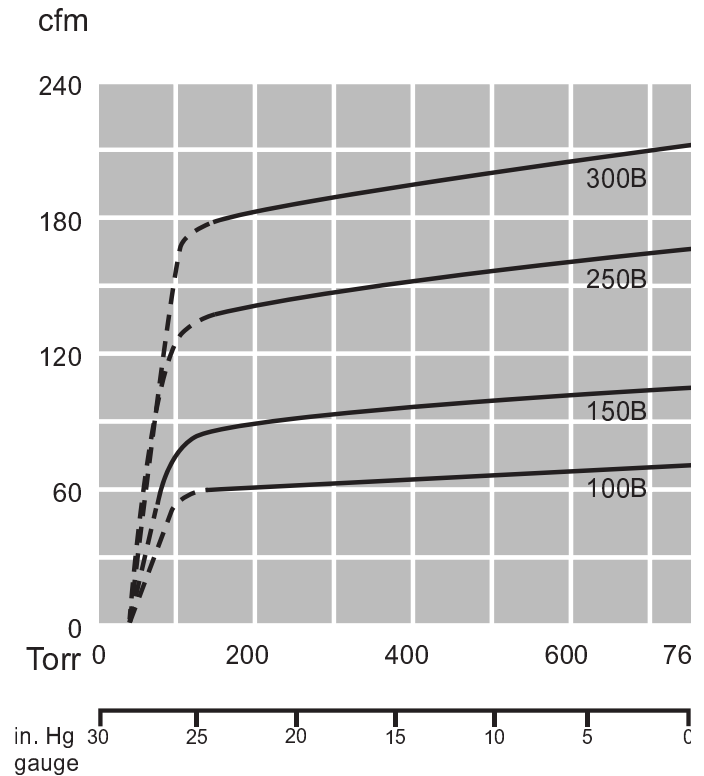


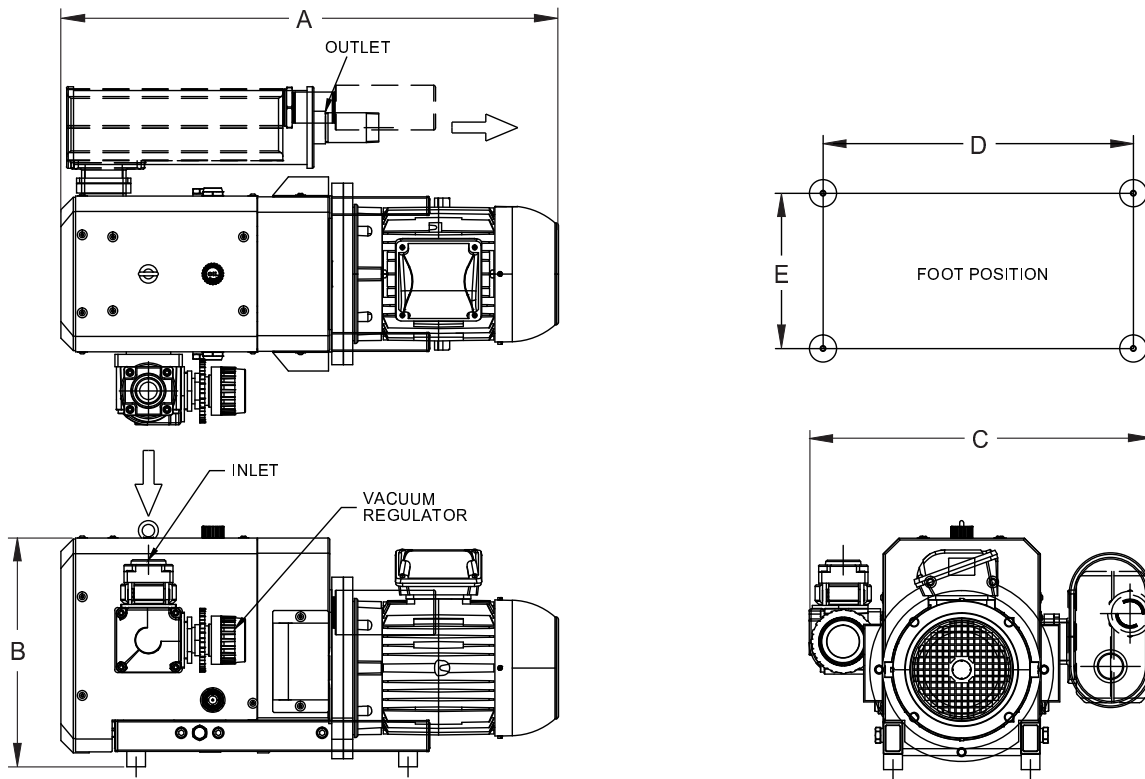
The Airtech VCX positive displacement rotary claw design is air cooled, dry-running and non-contacting. These features, along with quality construction results in a vacuum pump that is extremely high in reliability and a long service life. The non-contact design eliminates internal wear and maintenance. No water levels to check due to air-cooled operation and no sealing or lubricating oil is needed in the pumping chamber.

The claw shaped rotors inside the pump housing rotate in opposite directions, compressing the air and discharging through a silencer to the atmosphere. The anti-suck back valve in the inlet flange prevents back flow into the pumping chamber. The two rotors are synchronized by gears that are oil lubricated to facilitate a long gear life.

- **Non-contact design**
- **Dry (oil-free) pumping chamber**
- **Air-cooled & Direct driven**
- **Simple, modular construction**
- **Suitable for variable speed applications**



Dimensions: (inches)



Model	VCX 100B	VCX 150B	VCX 250B	VCX 300B
A	21.1	22.1	29.7	30.3
B	13.3	13.3	20.6	20.6
C	21.6	21.6	28.2	28.2
D	17.3	17.3	23.2	23.2
E	8.6	8.6	11.6	11.6

Performance Data - VCX

Model	VCX 100B	VCX 150B	VCX 250B	VCX 300B
Capacity-cfm	70.6	106	166	212
Ultimate vacuum-in.Hg	28.44	28.44	28.44	28.44
Ultimate vacuum (continuous operation)	25.5	27	24	24
Motor Rating- HP	3	5	7.5	10
Speed- RPM	3450	3450	3450	3450
Voltage	208-230/460	208-230/460	208-230/460	208-230/460
Full Load Amperge	8.1-7.6/3.8	13.2-12/6	21-18.8/9.4	21-18.8/9.4
Oil Capacity (gear box- qts.)	0.5	0.5	0.75	0.75
Avg. Noise Level-dB(A)	79	79	79	80
Inlet/Outlet Connections	1.5"	1.5"	2"	2"
Weight-lbs. *	237	304	430	496

* dependent upon motor mfg.