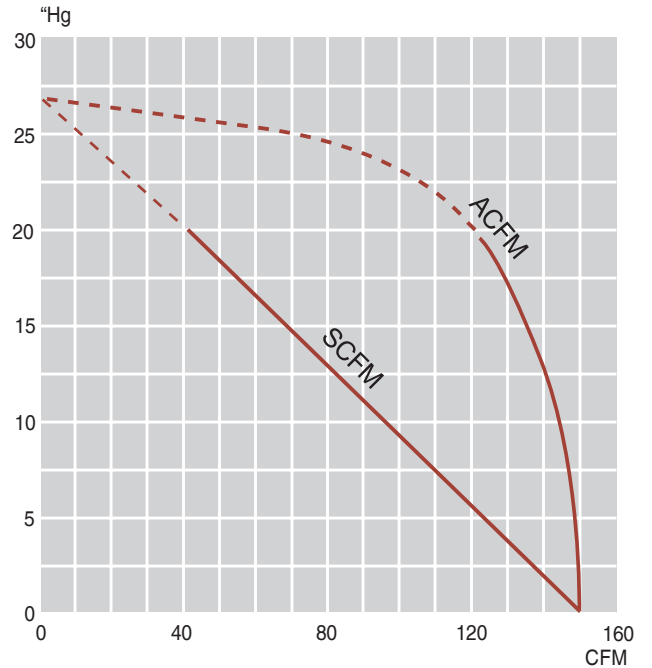


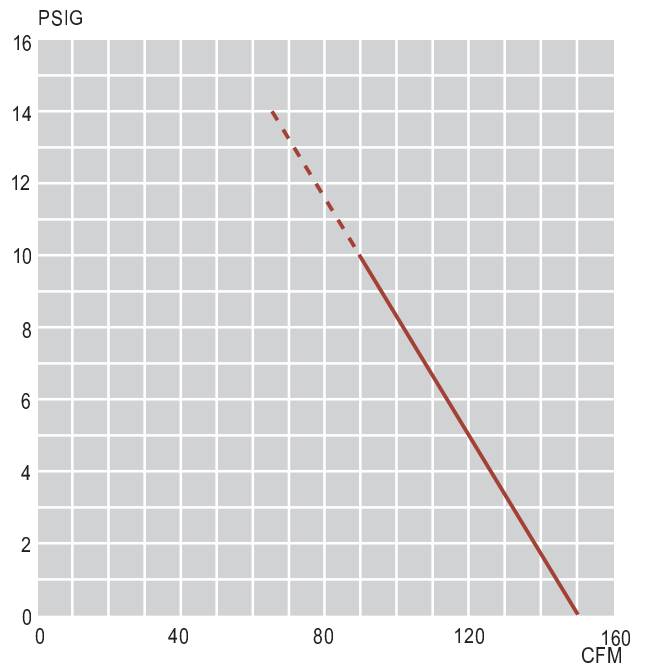
Performance Curves: 60Hz Vacuum



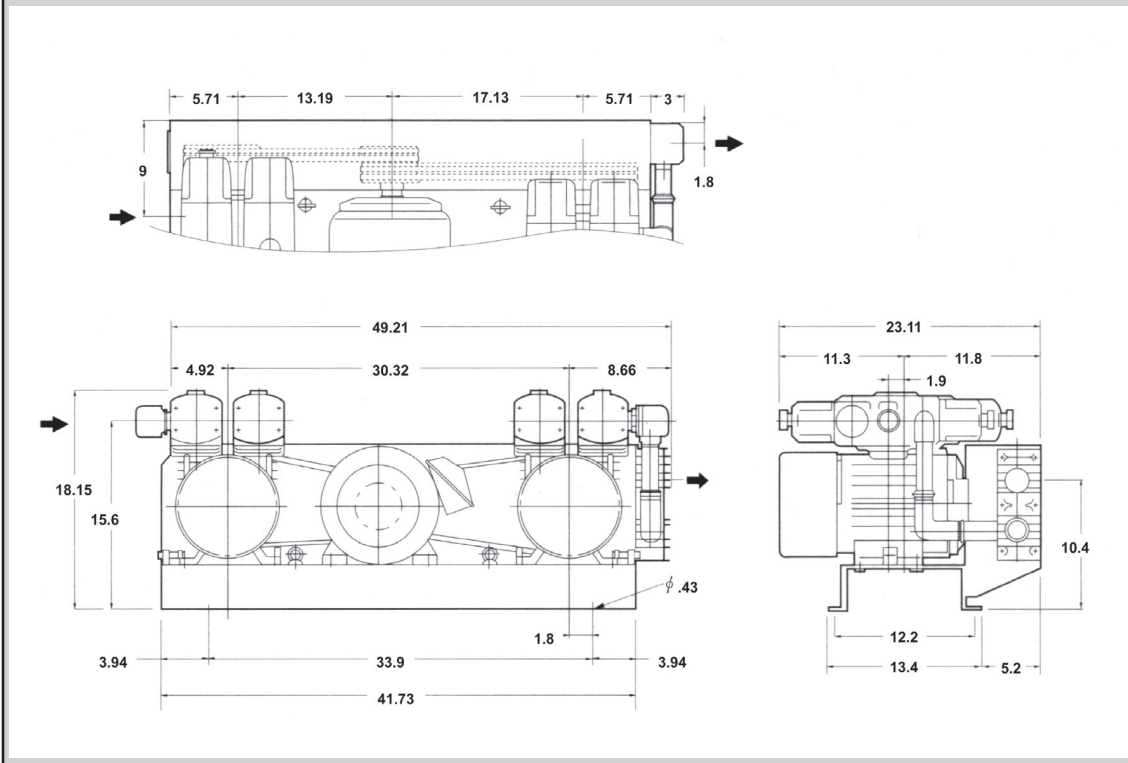
Features:

- Oil free
- Maintenance free
- Operates quietly - maximum 70 dB (A)
- Cooler running outboard bearings increase service life
- Built-in particulate filters and silencers.
- Compact light weight design
- Handles vacuum and/or pressure applications
- Ideal alternative to standard oil sealed rotary vane pumps

Pressure



Dimensions: (inches)



Notes:

- a: Standard voltage for three phase pump is 208-230/460V 3ph 60Hz.
- b: Standard voltage for single phase pump is 115/230/1ph 50/60Hz or 115V/1ph 60Hz or 230V/1ph 60Hz.
- c: All pumps available in 50Hz frequency and with other voltages.

Specifications subject to change without notice. Please contact factory for specification updates.

Specifications: (Vacuum)

Model Number	Motor	RPM	HP	CFM	Max. Hg"	LBS	Kgs
KRA10-DP-5510-G3	w/o Motor			150	27.5"	450	205
KRA10-DP-5510-G1	208-230/460V	1200	10	150	27.5"	522	237

Specifications: (Pressure)

Model Number	Motor	RPM	HP	CFM	Max. Hg"	LBS	Kgs
KRA10-DP-550-G3	w/o Motor			150	14psig	450	205
KRA10-DP-550-G1	208-230/460V	1200	10	150	14psig	522	237